



# SX18AC75/SX20AC75/SX28AC75/SX20AC100/SX28AC100

## High-Performance 8-Bit Microcontrollers with EE/Flash Program Memory and In-System Programming Capability

### 1.0 PRODUCT OVERVIEW

#### 1.1 Introduction

The SX18AC75, SX20AC75, SX28AC75, SX20AC100 and SX28AC100 are members of the SX family of high-performance 8-bit microcontrollers fabricated in an advanced CMOS process technology. The advanced process, combined with a RISC-based architecture, allows high-speed computation, flexible I/O control, and efficient data manipulation. Throughput is enhanced by operating the device at frequencies up to 100MHz and by optimizing the instruction set to include mostly single-cycle instructions.

On-chip functions include a general-purpose 8-bit timer with prescaler, an analog comparator, a brown-out detector, a watchdog timer, a power-save mode with multi-source wakeup capability, an internal R/C oscillator, user-selectable clock modes, and high-current outputs.

#### 1.2 Key Features

- 75 MIPS performance at 75 MHz oscillator frequency (SX18/20/28AC75)
- 100 MIPS performance at 100 MHz oscillator frequency (SX20/28AC100)
- 2048 x 12 bits EE/Flash program memory rated for 10,000 rewrite cycles
- 136 x 8 bits SRAM
- In-system programming capability through OSC pins
- Internal RC oscillator with configurable rate from 31.25 KHz to 4 MHz,  $\pm 8\%$  accuracy (continued on page 2)

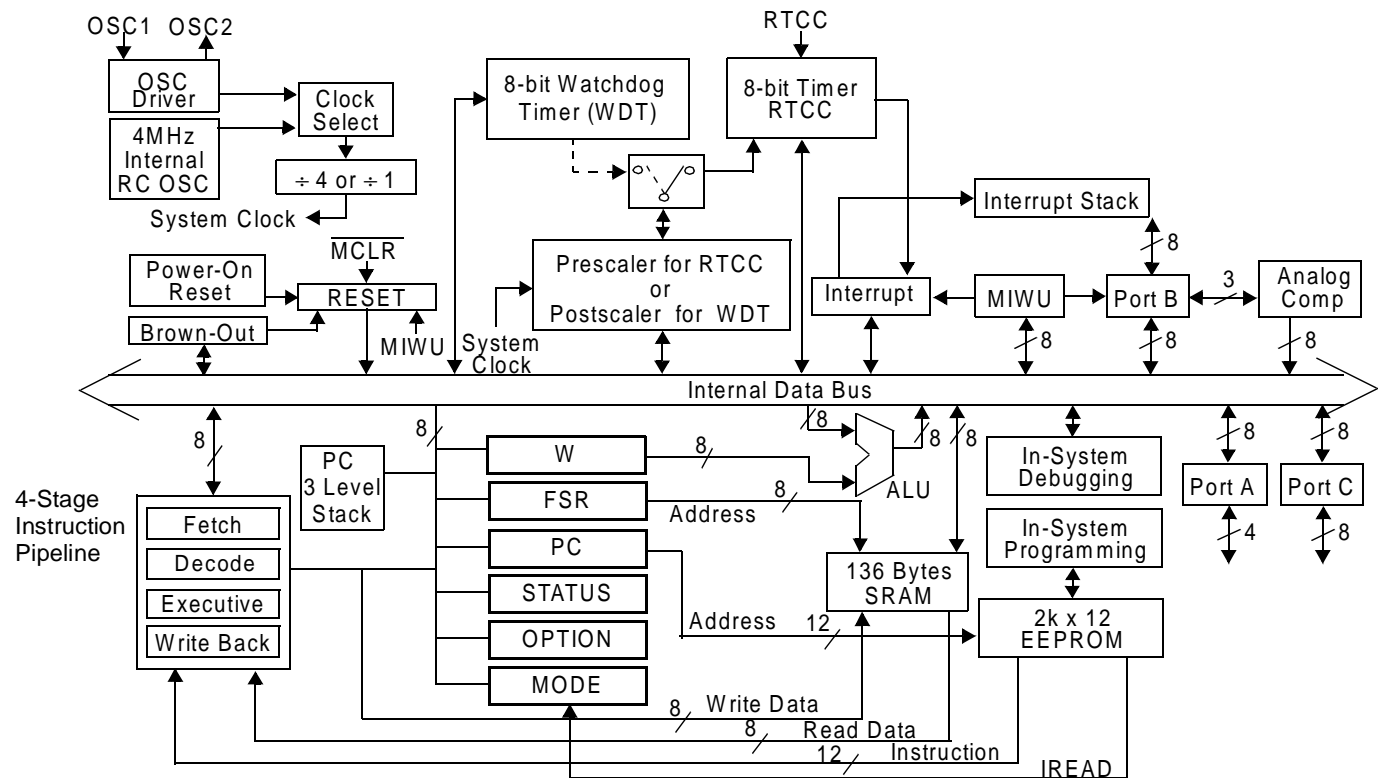


Figure 1-1. Block Diagram

Scenix™ and the Scenix logo are trademarks of Scenix Semiconductor, Inc.  
 I<sup>2</sup>C™ is a trademark of Philips Corporation  
 PIC® is a registered trademark of Microchip Technology, Inc.  
 Microchip® is a registered trademark of Microchip Technology, Inc.

SX-Key™ is a trademark of Parallax, Inc.  
 Microwire™ is a trademark of National Semiconductor Corporation  
 All other trademarks mentioned in this document are property of their respective companies.

## 1.2 Key Features (Continued)

- User selectable clock modes:
  - Internal RC oscillator
  - External oscillator
  - Crystal/resonator options
- External RC oscillator
- Analog comparator
- Brown-out detector (4.2V, on/off)
- Multi-Input Wakeup (MIWU) on eight pins
- Fast lookup capability through run-time readable code
- Complete development tool support available through Parallax

### 1.2.1 CPU Features

- Fully static design – DC to 100 MHz operation
- Fast instruction cycle time
  - 13.3 ns (SX18/20/28AC75)
  - 10 ns (SX20/28AC100)
- Mostly single-cycle instructions
- Selectable 8-level deep hardware subroutine stack
- Single-level interrupt stack
- Fixed three-cycle interrupt response time
- Hardware context save/restore for interrupt
- Designed to be pin-compatible and upward code-compatible with the PIC165x<sup>®</sup>

### 1.2.2 I/O Features

- Software-selectable I/O configuration
  - Each pin programmable as an input or output
  - TTL or CMOS level selection on inputs
  - Internal weak pull-up selection on inputs (~20 k $\Omega$  to  $V_{dd}$ )
- Schmitt trigger inputs on Port B and Port C
- All outputs capable of sinking/sourcing 30 mA
- Symmetrical drive on Port A outputs (same  $V_{drop}$  +/-)

## 1.3 Architecture

The SX devices use a modified Harvard architecture. This architecture uses two separate memories with separate address buses, one for the program and one for data, while allowing transfer of data from program memory to SRAM. This ability allows accessing data tables from program memory. The advantage of this architecture is that instruction fetch and memory transfers can be overlapped with a multi-stage pipeline, which means the next instruction can be fetched from program memory while the current instruction is being executed using data from the data memory.

The SX family implements a four-stage pipeline (fetch, decode, execute, and write back), which results in execution of one instruction per clock cycle. At the maximum operating frequency of 100 MHz, instructions are executed at the rate of one per 10-ns clock cycle.

## 1.4 Programming and Debugging Support

The SX devices are currently supported by the SX-Key™ offered by Parallax, Inc. This tool provides an integrated development environment including editor, macro assembler, debugger, and programmer.

## 1.5 Applications

Emerging applications and advances in existing ones require higher performance while maintaining low cost and fast time-to-market.

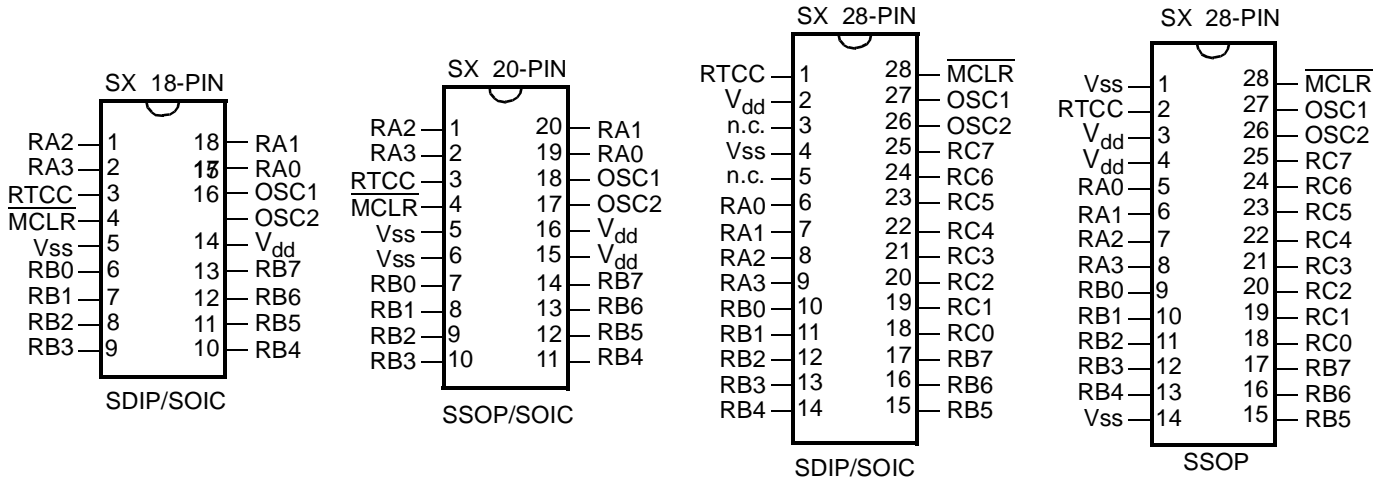
The SX devices provide solutions for many familiar applications such as process controllers, electronic appliances/tools, security/monitoring systems, digital filter implementation, high speed video processing, and telecommunication devices such as a FSK modems with DTMF generation/detection and Caller ID function. With 75 MHz or 100 MHz performance, the SX devices can even replace FPGAs, PLDs, and DSP functions. The deterministic executive of time-critical functions allows efficient implementation of real-time kernels. In addition, the enhanced throughput allows efficient development of software modules called Virtual Peripherals to replace on-chip hardware peripherals. The concept of Virtual Peripherals provides benefits such as using a more simple device, reduced component count, fast time to market, increased flexibility in design, and ultimately overall system cost reduction.

Some examples of Virtual Peripheral modules are:

- Serial, Parallel, I<sup>2</sup>C™, Microwire™ ( $\mu$ -Wire), Dallas  $\mu$ -Wire, SPI, DMX-512, X-10, IR transceivers
- Frequency generation and measurement
- Spectrum analysis
- Multi-tasking, interrupts, and networking
- Resonance loops
- DRAM drivers
- Music and voice synthesis
- PPM/PWM output
- Delta/Sigma ADC
- DTMF I/O and call progress
- 300/1200 baud modem
- Quadrature encoder/decoder
- Peripheral Interface Device (PID) and servo control
- Video controller

## 2.0 CONNECTION DIAGRAMS

### 2.1 Pin Assignments



### 2.2 Pin Descriptions

Name	Pin Type	Input Levels	Description
RA0	I/O	TTL/CMOS	Bidirectional I/O Pin; symmetrical source / sink capability
RA1	I/O	TTL/CMOS	Bidirectional I/O Pin; symmetrical source / sink capability
RA2	I/O	TTL/CMOS	Bidirectional I/O Pin; symmetrical source / sink capability
RA3	I/O	TTL/CMOS	Bidirectional I/O Pin; symmetrical source / sink capability
RB0	I/O	TTL/CMOS/ST	Bidirectional I/O Pin; comparator output; MIWU input
RB1	I/O	TTL/CMOS/ST	Bidirectional I/O Pin; comparator negative input; MIWU input
RB2	I/O	TTL/CMOS/ST	Bidirectional I/O Pin; comparator positive input; MIWU input
RB3	I/O	TTL/CMOS/ST	Bidirectional I/O Pin; MIWU input
RB4	I/O	TTL/CMOS/ST	Bidirectional I/O Pin; MIWU input
RB5	I/O	TTL/CMOS/ST	Bidirectional I/O Pin; MIWU input
RB6	I/O	TTL/CMOS/ST	Bidirectional I/O Pin; MIWU input
RB7	I/O	TTL/CMOS/ST	Bidirectional I/O Pin; MIWU input
RC0	I/O	TTL/CMOS/ST	Bidirectional I/O pin
RC1	I/O	TTL/CMOS/ST	Bidirectional I/O pin
RC2	I/O	TTL/CMOS/ST	Bidirectional I/O pin
RC3	I/O	TTL/CMOS/ST	Bidirectional I/O pin
RC4	I/O	TTL/CMOS/ST	Bidirectional I/O pin
RC5	I/O	TTL/CMOS/ST	Bidirectional I/O pin
RC6	I/O	TTL/CMOS/ST	Bidirectional I/O pin
RC7	I/O	TTL/CMOS/ST	Bidirectional I/O pin
RTCC	I	ST	Input to Real-Time Clock/Counter
MCLR	I	ST	Master Clear reset input – active low
OSC1/In/V <sub>pp</sub>	I	ST	Crystal oscillator input – external clock source input
OSC2/Out	O	CMOS	Crystal oscillator output – in R/C mode, internally pulled to V <sub>dd</sub> through weak pull-up
V <sub>dd</sub>	P	–	Positive supply pin
V <sub>ss</sub>	P	–	Ground pin

Note: I = input, O = output, I/O = Input/Output, P = Power, TTL = TTL input, CMOS = CMOS input, ST = Schmitt Trigger input, MIWU = Multi-Input Wakeup input

### 2.3 Part Numbering

Table 2-1. Ordering Information

Device	Pins	I/O	EE/Flash (Words)	RAM (Bytes)
SX18AC75/SO	18	12	2K	136
SX18AC75/DP	18	12	2K	136
SX20AC75/SS	20	12	2K	136
SX20AC100/SO	20	12	2K	136
SX28AC75/SO	28	20	2K	136
SX28AC75/DP	28	20	2K	136
SX28AC75/SS	28	20	2K	136
SX28AC100/SO	28	20	2K	136

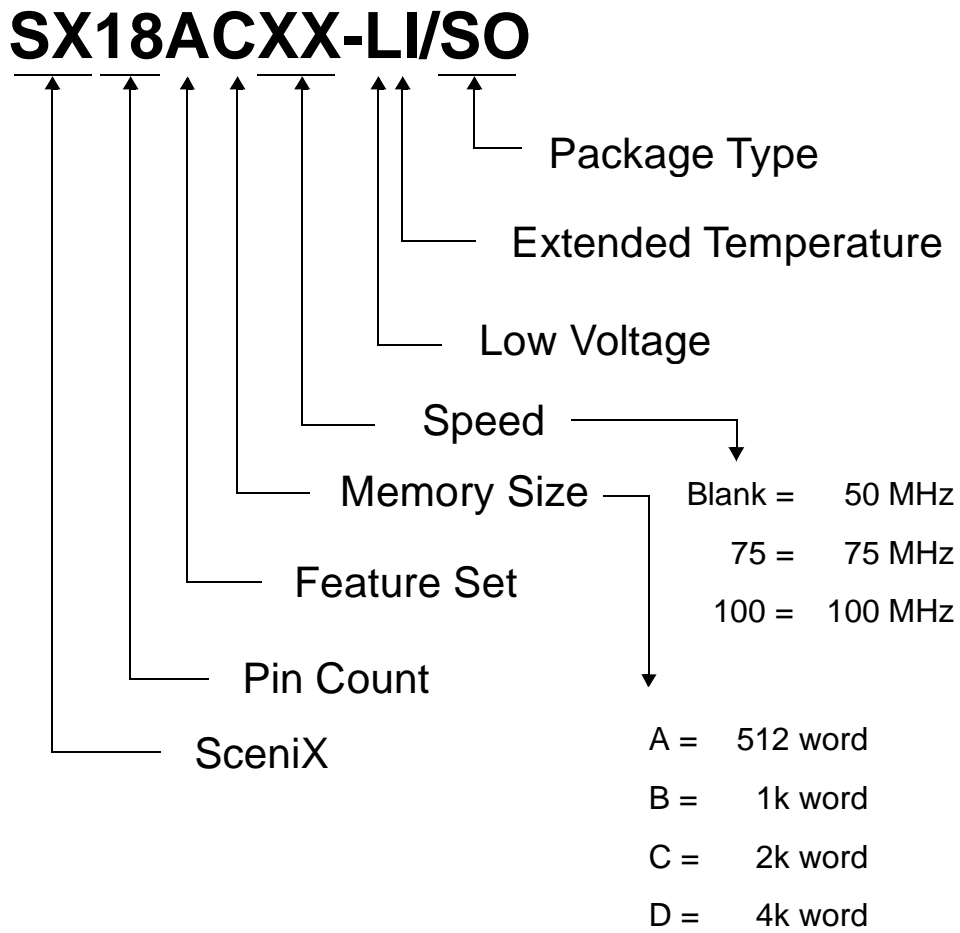


Figure 2-1. Part Number Reference Guide

**MANUFACTURERS REPRESENTATIVES**

**Benelux**

Memec Benelux  
 Gen. De Wittelaan, 17 B10  
 2800 Mechelen  
 Tel: (32) 15-400-0800  
 Email:  
 BdeVries@meb.memec.com

**France**

A2M  
 5 rue Carle Vernet  
 92315 Sevres Cedex  
 Tel: (33) 1-4623-7900  
 Email: mgadreau@tekelec.fr

**Germany**

Topas Electronic GmbH  
 Fliegerstrasse 1  
 30179 Hannover  
 Tel: (49) 898-991-430  
 Email: ulf.Topas@t-online.de

Scantec Mikroelektronik GmbH  
 Behringstrasse 10  
 82152 Planegg  
 Tel: (49) 511-968-640  
 Email: stenwaldo@com-  
 puserve.com

**United Kingdom**

Ambar Components  
 Rabans Close  
 Aylesbury  
 HP19 3RS Bucks  
 Tel: (944) 129-639-7396  
 Email:  
 rthomson@acp.memec.com

**Ireland**

Curragh Technology  
 Block H, Lock Quay  
 Clare Street  
 Limerick  
 Tel: (353) 6-131-6116  
 Email: jburton@ctl.memec.com

**Italy**

Silverstar-Celdis  
 Viale Fulvio Testi, 280  
 20126 Milano  
 Tel: (39) 2-661-251  
 Email: rbaldoni@arrowitaly.com

**Norway**

BIT Elektronikk  
 Smedsvingen 4  
 PO BOX 194  
 1360 Nesbru  
 Tel: (47) 66-776-599  
 Email: njh@bit.no

**Switzerland**

Computer Components AG  
 Neunbrunnenstrasse 55  
 8050 Zurich  
 Tel: (41) 13-086-655  
 Email: kolbicz@ccontrols.ch

**China/Hong Kong**

C. S. T. Technology, Ltd.  
 Room 907, Tower 1, Silvercord  
 30 Canton Road, TST  
 Kowloon, Hong Kong  
 Tel: (852) 2376-1882  
 Email:  
 sunadmin@sunrise.com.hk

Room 3113, Everbright ITIC  
 Bldg.  
 15 Bai Shi Qiao Road  
 Hai Dian Dist., Beijing, 100081  
 Tel: (010) 6848-6895  
 Email:  
 sunadmin@sunrise.com.hk

Room 519, Changning S&T  
 Bldg.  
 No. 201 Tian Shan Zhi Road  
 Shanghai, 200051  
 Tel: (201) 6259-4939  
 Email:  
 sunadmin@sunrise.com.hk

8/F, Block B, Overseas Decora-  
 tion Bldg.  
 11 Zhenhua Road  
 Shenzhen, 518031  
 Tel: (0755) 332-5656  
 Email:  
 sunadmin@sunrise.com.hk

**Taiwan**

Promate Electronic Co., Ltd.  
 4F 32m Sec.1, Huan Shan Road  
 Nei Hu, Taipei 114  
 Tel: (886) 2-2659-0303  
 Email: irving@promate.com.tw

Pinnacle Technology Co.  
 4F, 270, Sec. 3, Nan-Kang Road  
 Taipei  
 Tel: (886) 2-2788-4800  
 Email: pinnacle@ms1.hinet.net

**Japan**

Sumisho Electronic Devices  
 Corp.  
 1 Kandamitoshirocho  
 Chiyoda-ku, Tokyo 101  
 Tel: (81) 3-5282-7225  
 Email:  
 masayuki\_kobayashi@sed.co.jp

**Korea**

Comfile Technology  
 30-1 Shingae-Dong  
 Youngsan-Gu, Seoul 140-090  
 Tel: (82) 2-711-2592  
 Email:  
 comfile@soback.kornet.nm.kr

Team Korea  
 292-6 Yatap-Dong, Bundang-Ku  
 Sungam-Si, Kyungki-Do  
 Tel: (82) 342-705-1825  
 Email:  
 mikechoi@teamkorea.com  
 http://www.teamkorea.com

For the latest contact and support information on SX devices, please visit the Scenix Semiconductor website at [www.scenix.com](http://www.scenix.com). The site contains technical literature, local sales contacts, tech support and many other features.



**Scenix Semiconductor, Inc.**

**3160 De La Cruz Blvd., Suite #200**

Santa Clara, CA 95054

(408) 327-8888

<http://www.scenix.com>

## Sales and Tech Support Contact Information

### US DISTRIBUTOR

#### Unique Technologies

9980 Huennekens Street  
 San Diego, CA 92121  
 (800) 677-5664 Corporate Headquarters  
 (800) 556-0225 Direct to Local Office

### DEVELOPMENT TOOLS

#### Parallax Inc.

3805 Atherton Road, Suite 102  
 Rocklin, CA 95765  
 (916) 624-8333  
<http://www.parallaxinc.com>

### MANUFACTURERS REPRESENTATIVES

#### South Nevada; Utah, Idaho; Montana; Wyoming; Colorado; New Mexico; Arizona

Nelco Electronix  
 Chandler  
 Tel: (602) 726-2334  
 Email: nelcoaz@aol.com

9725 E. Hampden Avenue  
 Suite 100  
 Denver, CO 80231  
 Tel: (303) 671-7677  
 Email: nelcoelect@aol.com

Boise  
 Tel: (208) 343-9171  
 Email: nelcotd@aol.com

Albuquerque  
 Tel: (505) 293-1399  
 Email: nelco@swcp.com

El Paso  
 Tel: (915) 833-7300  
 Email: nelco@dzn.com

Utah  
 Tel: (208) 343-9171  
 Email: nelcotd@aol.com

#### New York; East Pennsylvania; South New Jersey

Quality Components, Inc.  
 4211 Anita Drive  
 Collegeville, PA 19426  
 Tel: (800) 965-8885  
 Email: brogers@quality-component.com

116 Fayette Street  
 Manilus, NY 13104  
 Tel: (315) 682-8885

#### Tennessee; N. Carolina; S. Carolina; Georgia; Alabama; Mississippi

STG  
 101 Washington Street  
 Suite 6  
 Huntsville, AL 35801  
 Tel: (205) 534-2376  
 Email: hstokes@stghsv.com

6045 Atlantic Boulevard  
 Norcross, GA 30071  
 Tel: (770) 239-7576  
 Email: hstokes@stghsv.com

207 New Edition Court  
 Cary, NC 27511  
 Tel: (919) 468-1524  
 Email: hstokes@stghsv.com

#### North California

Impact Technical Sales, Inc.  
 1150 N. First St. #205  
 San Jose, CA 95112  
 Tel: (408) 291-5100  
 Email: info@impactTSI.com

#### South California

Spectrum Rep Company  
 31368 Via Colinas  
 Suite 101  
 Westlake Village, CA 91362  
 Tel: (818) 706-2919  
 Email: larryclark@spectrum-rep.com  
<http://www.spectrumrep.com>

30211 Avenida de las Banderas  
 Suite 200  
 Rancho Santa Margarita,  
 CA 92688  
 Tel: (949) 766-6700  
 Email: paul@spectrumrep.com

27281 Las Ramblas  
 Suite 200  
 Mission Viejo, CA 92691  
 Tel: (949) 367-3132  
 Email: zig@spectrumrep.com

16776 Bernardo Ctr. Dr.  
 Suite 203  
 San Diego, CA 92128  
 Tel: (619) 618-1440  
 Email: paul@spectrumrep.com

#### N. Dakota; S. Dakota; Minnesota

Com-Tek Sales, Inc  
 3502 Shoreline Drive  
 Navarre, MN 55392-0017  
 Tel: (612) 471-7181  
 Email: comtek@comtek-sales.com

#### Michigan; Indiana; Ohio; Kentucky; West Pennsylvania

Schillinger Associates, Inc.  
 2297 East Boulevard  
 Kokomo, IN 46902  
 Tel: (765) 457-7241  
 Email: saicorp@msn.com

#### Southeast New York; North New Jersey

ERA  
 354 Veterans Memorial Highway  
 Commack, NY 11725  
 Tel NY: (516) 543-0510  
 Tel NJ: (800) 645-5500  
 Email: info.era@erareps.com  
<http://www.erareps.com>

#### Texas; Oklahoma; Arizona; Louisiana

TechSource  
 7605 Parkview Circle  
 Austin, TX 78731  
 Tel: (512) 502-9962  
 Fax: (512) 502-9985

#### Wisconsin; Illinois

Dynamic Technical Sales  
 416 East State Parkway  
 Suite 212  
 Schaumburg, IL 60173  
 Tel: (847) 755-5490  
 Email: dts@dtsrep.com

553 Industrial Drive  
 Suite 6  
 Hartland, WI 53029  
 Tel: (414) 367-1821  
 Email: dtsinc@execpc.com

For the latest contact and support information on SX devices, please visit the Scenix Semiconductor website at [www.scenix.com](http://www.scenix.com). The site contains technical literature, local sales contacts, tech support and many other features.



**Scenix Semiconductor, Inc.**

**3160 De La Cruz Blvd., Suite #200**

Santa Clara, CA 95054

(408) 327-8888

<http://www.scenix.com>