

HCPL2530, HCPL2531 OPTOCOUPLEDERS/OPTOISOLATORS

SOOS016 D3115, APRIL 1988

- Compatible with TTL Inputs
- High-Speed Switching . . . 1 Mbit/s Typ
- Bandwidth . . . 2 MHz Typ
- High Common-Mode Transient Immunity . . . 1000 V/ μ s Typ
- High-Voltage Electrical Insulation . . . 3000 V DC Min
- Open-Collector Output
- UL Recognized . . . File Number 65085

description

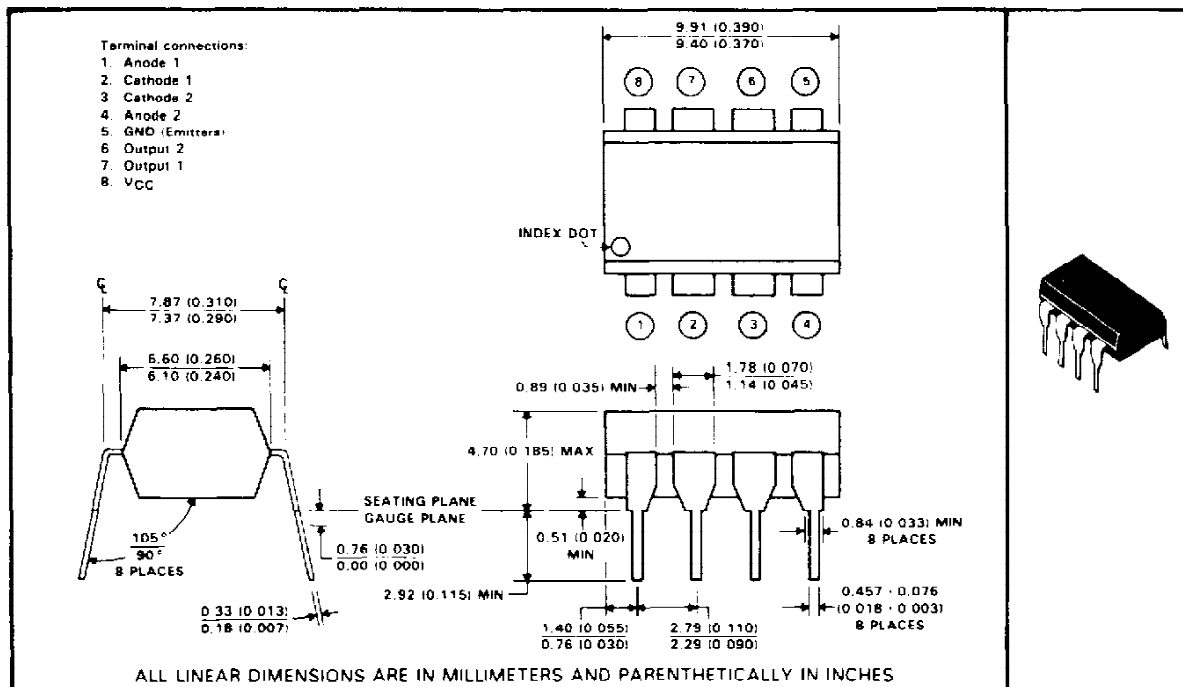
These high-speed optocouplers are designed for use in analog or digital interface applications that require high-voltage isolation between the input and output. Applications include line receivers that require high common-mode transient immunity, and analog or logic circuits that require input-to-output electrical isolation.

Each HCPL2530 and HCPL3531 optocoupler consists of two light-emitting diodes and two integrated photon detectors. Each detector is composed of a photodiode and an open-collector output transistor. Separate connections are provided for the photodiode bias and the transistor collector output. This feature, which reduces the transistor base-to-collector capacitance, results in speeds up to one hundred times that of a conventional phototransistor optocoupler.

The HCPL2530 is designed for TTL/CMOS, TTL/LSTTL, and wide-band analog applications.

The HCPL2531 is designed for high-speed TTL/TTL applications.

mechanical data



PRODUCTION DATA documents contain information current as of publication date. Products conform to specifications per the terms of Texas Instruments standard warranty. Production processing does not necessarily include testing of all parameters.

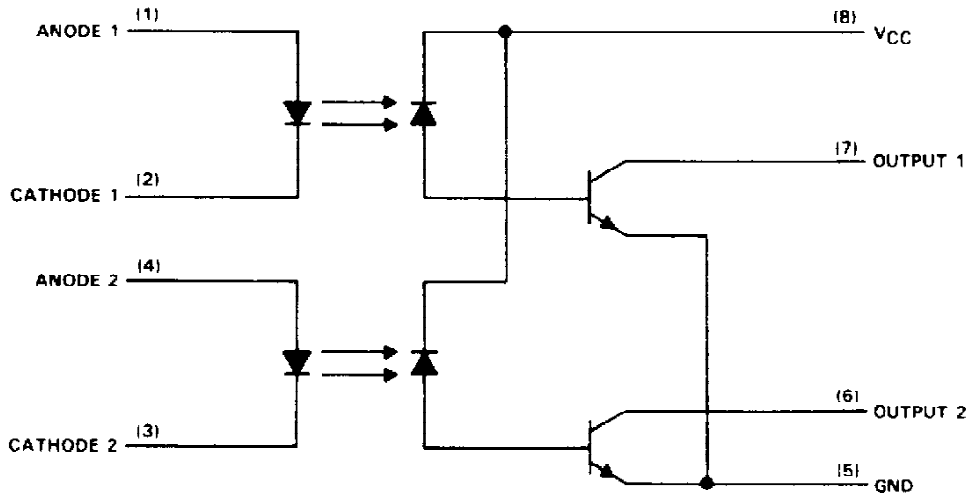
TEXAS INSTRUMENTS

 POST OFFICE BOX 655303 • DALLAS, TEXAS 75265

Copyright © 1988, Texas Instruments Incorporated

**HCPL2530, HCPL2531
OPTOCOUPLED/OPTOISOLATORS**

schematic



absolute maximum ratings at 25 °C free-air temperature (unless otherwise noted)

Supply and output voltage range, V_{CC} and V_O	-0.5 V to 15 V
Reverse input voltage (each channel)	5 V
Peak input forward current (each channel) (pulse duration = 1 ms, 50% duty cycle, see Note 1)	50 mA
Peak transient input forward current (each channel) (pulse duration = 1 μ s, f = 300 Hz)	1 A
Average forward input current (each channel) (see Note 2)	25 mA
Peak output current (each channel)	16 mA
Average output current (each channel)	8 mA
Input power dissipation at (or below) 70 °C free-air temperature (each channel) (see Note 3)	45 mW
Output power dissipation at (or below) 70 °C free-air temperature (each channel) (see Note 4)	35 mW
Storage temperature range	-55 °C to 125 °C
Operating free-air temperature range	-55 °C to 100 °C
Lead temperature 1.6 mm (1/16 inch) from case for 10 seconds	260 °C

- NOTES: 1. Derate linearly above 70 °C free-air temperature at the rate of 1.67 mA/°C.
 2. Derate linearly above 70 °C free-air temperature at the rate of 0.83 mA/°C.
 3. Derate linearly above 70 °C free-air temperature at the rate of 1.50 mW/°C.
 4. Derate linearly above 70 °C free-air temperature at the rate of 1.17 mW/°C.

HCPL2530, HCPL2531 OPTOCOUPERS/OPTOISOLATORS

electrical characteristics over operating free-air temperature range of 0°C to 70°C (unless otherwise noted)

PARAMETER	TEST CONDITIONS	HCPL2530		HCPL2531		UNIT		
		MIN	TYP†	MAX	MIN		TYP†	MAX
V _F	Input forward voltage	I _F = 16 mA, T _A = 25°C		1.6	1.7	1.6	1.7	V
V _F	Temperature coefficient of forward voltage	I _F = 16 mA		-1.8		-1.8		mV/°C
V _{BR}	Input breakdown voltage	I _R = 10 μA, T _A = 25°C		5		5		V
V _{OL}	Low-level output voltage	V _{CC} = 4.5 V, I _F = 16 mA	I _{OL} = 1.1 mA	0.1	0.5			V
			I _{OL} = 2.4 mA			0.1	0.5	
I _{OH}	High-level output current	I _{F1} = I _{F2} = 0, T _A = 25°C	V _{CC} = V _{O1} = V _{O2} = 5.5 V	3	500	3	500	nA
			V _{CC} = V _{O1} = V _{O2} = 15 V, I _{F1} = I _{F2} = 0		50		50	
I _{CCH}	Supply current, high-level output	V _{CC} = 15 V, I _{F1} = I _{F2} = 0, I _{O1} = I _{O2} = 0		4		4		μA
I _{CCL}	Supply current, low-level output	V _{CC} = 15 V, I _{F1} = I _{F2} = 16 mA, I _{O1} = I _{O2} = 0		80		80		μA
CTR	Current transfer ratio	V _{CC} = 4.5 V, I _F = 16 mA, See Note 5	V _O = 0.5 V, T _A = 25°C	7%	18%	19%	24%	
			V _O = 0.5 V, See Note 5	5%		15%		
r _{IO}	Input-output resistance	V _{IO} = 500 V, T _A = 25°C, See Note 6		10 ¹²		10 ¹²		Ω
I _{IO}	Input-output insulation leakage current	V _{IO} = 3000 V, t = 5 s, T _A = 25°C, RH = 45%, See Note 6		1		1		μA
C _i	Input capacitance	V _F = 0, f = 1 MHz		60		60		pF
C _{io}	Input-output capacitance	f = 1 MHz, See Note 6		0.6		0.6		pF
r _{ii}	Input-input resistance	V _{ii} = 500 V, T _A = 25°C, See Note 7		10 ¹¹		10 ¹¹		Ω
I _{ii}	Input-input insulation leakage current	V _{ii} = 500 V, t = 5 s, T _A = 25°C, RH = 45%, See Note 7		0.005		0.005		μA
c _{ii}	Input-input capacitance	f = 1 MHz, T _A = 25°C, See Note 7		0.25		0.25		pF

† All typical values are at T_A = 25°C.

NOTES: 5. Current transfer ratio is defined as the ratio of output collector current I_O to the forward LED input current I_F times 100%.

6. These parameters are measured between pins 2 and 3 shorted together and pins 5, 6, 7, and 8 shorted together.

7. These parameters are measured between pins 1 and 2 shorted together and pins 3 and 4 shorted together.

HCPL2530, HCPL2531 OPTOCOUPLED/OPTOISOLATORS

operating characteristics at $V_{CC} = 5\text{ V}$, $I_F = 16\text{ mA}$, $T_A = 25^\circ\text{C}$

PARAMETER	TEST CONDITIONS	HCPL2530			HCPL2531			UNIT
		MIN	TYP	MAX	MIN	TYP	MAX	
BW	Bandwidth (–3 dB)	$R_L = 100\ \Omega$, See Note 8			2			MHz

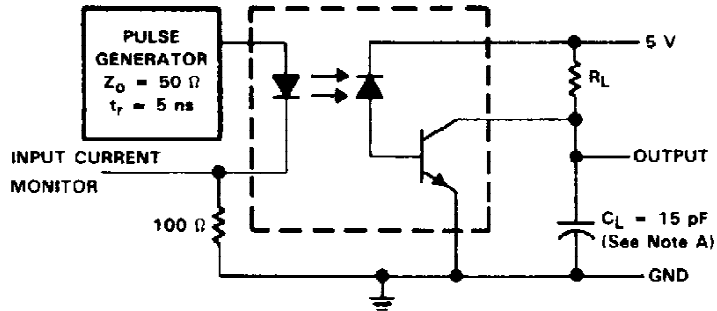
NOTE 7: Bandwidth is the range of frequencies within which the ac output voltage is not more than 3 dB below the low-frequency value.

switching characteristics at $V_{CC} = 5\text{ V}$, $I_F = 16\text{ mA}$, $T_A = 25^\circ\text{C}$ (unless otherwise noted)

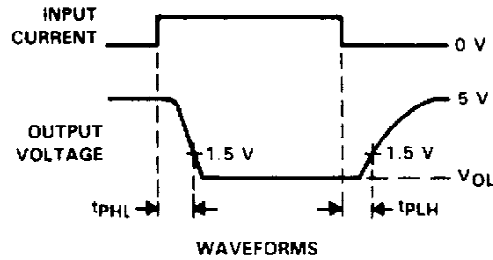
PARAMETER	TEST CONDITIONS	HCPL2530			HCPL2531			UNIT
		MIN	TYP	MAX	MIN	TYP	MAX	
t_{PLH}	Propagation delay time, low-to-high-level output	$R_L = 4.1\text{ k}\Omega$, See Note 9, See Figure 1		1.0	1.5			μs
		$R_L = 1.9\text{ k}\Omega$, See Note 10, See Figure 1				0.6	0.8	
t_{PHL}	Propagation delay time, high-to-low-level output	$R_L = 4.1\text{ k}\Omega$, See Note 9, See Figure 1		0.7	1.5			μs
		$R_L = 1.9\text{ k}\Omega$, See Note 10, See Figure 1				0.6	0.8	
$\frac{dV_{CM}}{dt}$ (H)	Common-mode input transient immunity, high-level output	$\Delta V_{CM} = 10\text{ V}$, $I_F = 0$, $R_L = 4.1\text{ k}\Omega$, See Notes 9 and 10, See Figure 2		1000			$\text{V}/\mu\text{s}$	
		$\Delta V_{CM} = 10\text{ V}$, $I_F = 0$, $R_L = 1.9\text{ k}\Omega$, See Notes 10 and 11, See Figure 2		1000				
$\frac{dV_{CM}}{dt}$ (L)	Common-mode input transient immunity, low-level output	$\Delta V_{CM} = 10\text{ V}$, $R_L = 4.1\text{ k}\Omega$, See Figure 2, See Notes 9 and 11,		–1000			$\text{V}/\mu\text{s}$	
		$\Delta V_{CM} = 10\text{ V}$, $R_L = 1.9\text{ k}\Omega$, See Figure 2, See Notes 10 and 11		–1000				

- NOTES:
9. The 4.1-k Ω load represents one LSTTL unit load of 0.36 mA and a 6.1-k Ω pullup resistor.
 10. The 1.9-k Ω load represents one TTL unit load of 1.6 mA and a 5.6-k Ω pullup resistor.
 11. Common-mode transient immunity, high-level output, is the maximum rate of rise of the common-mode input voltage that does not cause the output voltage to drop below 2 V. Common-mode input transient immunity, low-level output, is the maximum rate of fall of the common-mode input voltage that does not cause the output voltage to rise above 0.8 V.

PARAMETER MEASUREMENT INFORMATION



TEST CIRCUIT (EACH CHANNEL)



WAVEFORMS

NOTE A: C_L includes probe and stray capacitance.

FIGURE 1. SWITCHING TEST CIRCUIT AND WAVEFORMS

**HCPL2530, HCPL2531
OPTOCOUPLEDERS/OPTOISOLATORS**

PARAMETER MEASUREMENT INFORMATION

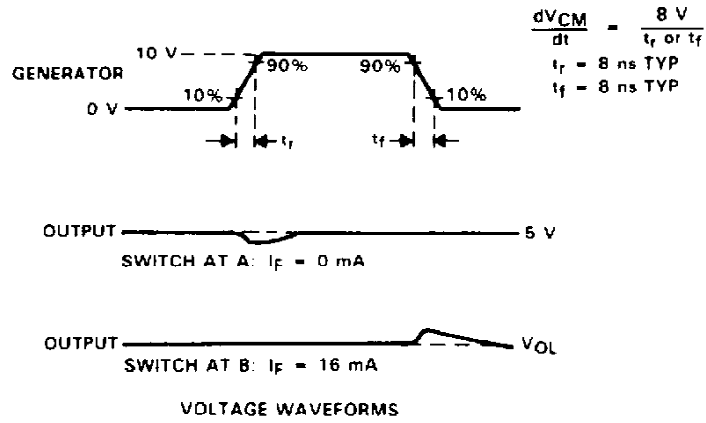
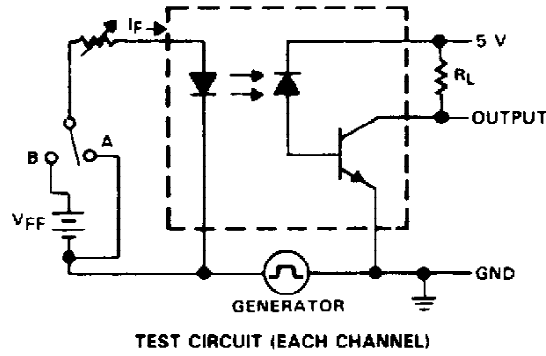


FIGURE 2. TRANSIENT IMMUNITY TEST CIRCUIT AND WAVEFORMS

**HCPL2530, HCPL2531
OPTOCOUPLEDERS/OPTOISOLATORS**

INPUT DIODE FORWARD CURRENT
vs
FORWARD VOLTAGE

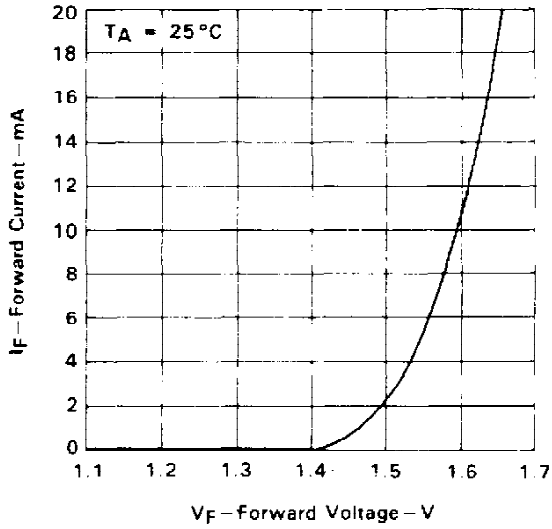


FIGURE 3

HCPL2530
CURRENT TRANSFER CHARACTERISTICS

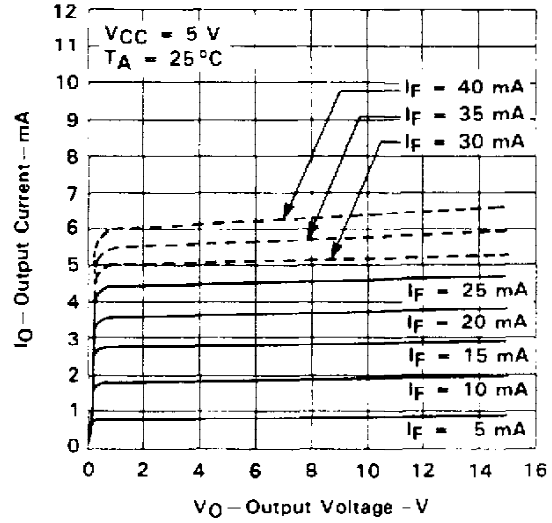


FIGURE 4

NORMALIZED CURRENT TRANSFER RATIO
vs
INPUT DIODE FORWARD CURRENT

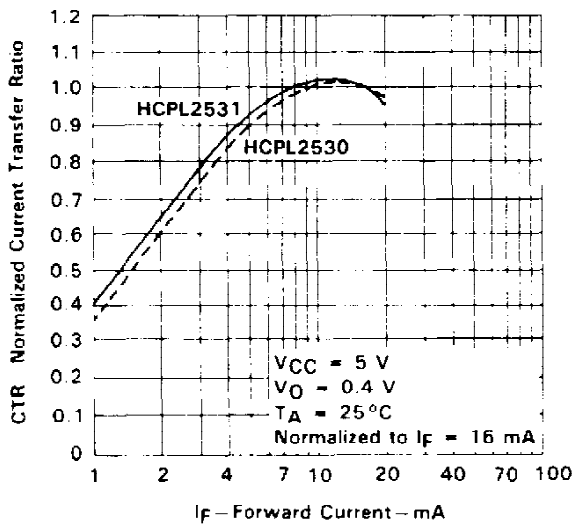


FIGURE 5

NORMALIZED CURRENT TRANSFER RATIO
vs
FREE AIR TEMPERATURE

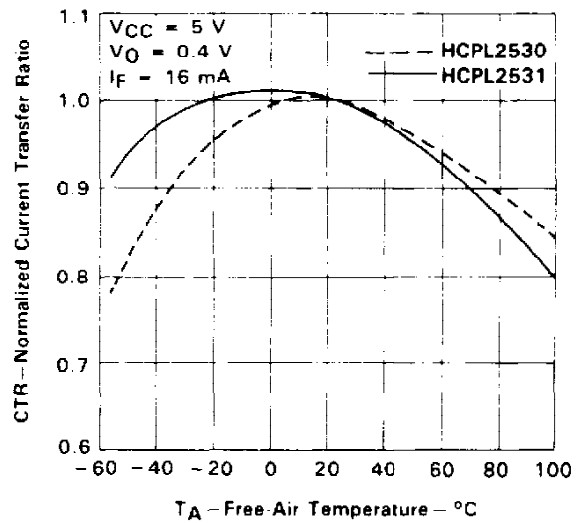


FIGURE 6

HCPL2530, HCPL2531
OPTOCOUPERS/OPTOISOLATORS

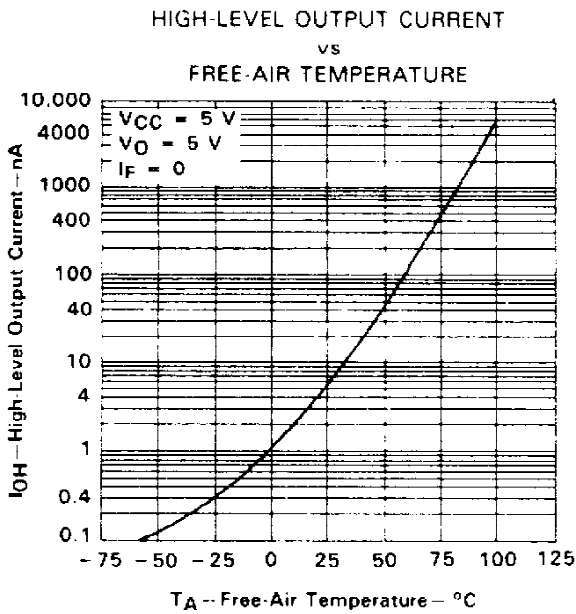


FIGURE 7

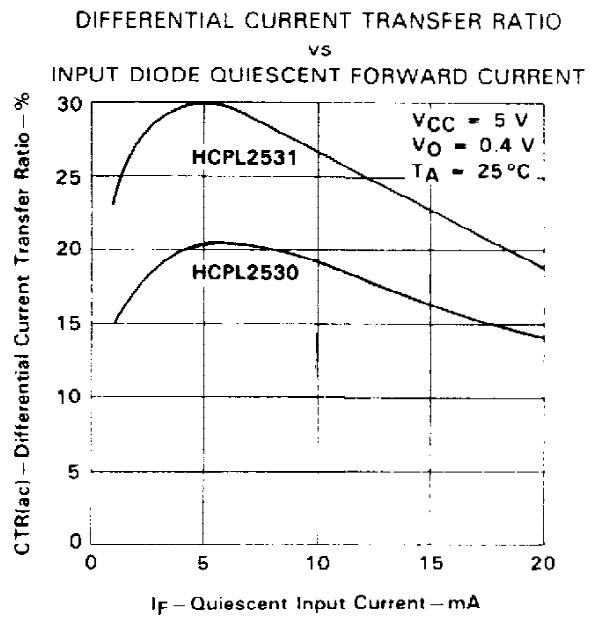


FIGURE 8

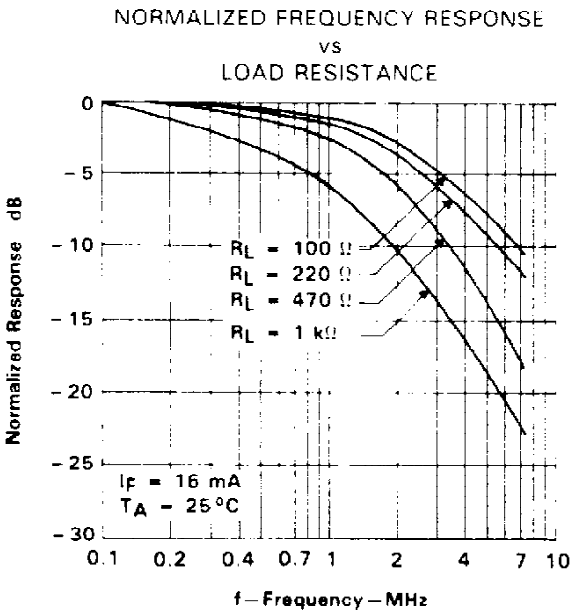


FIGURE 9

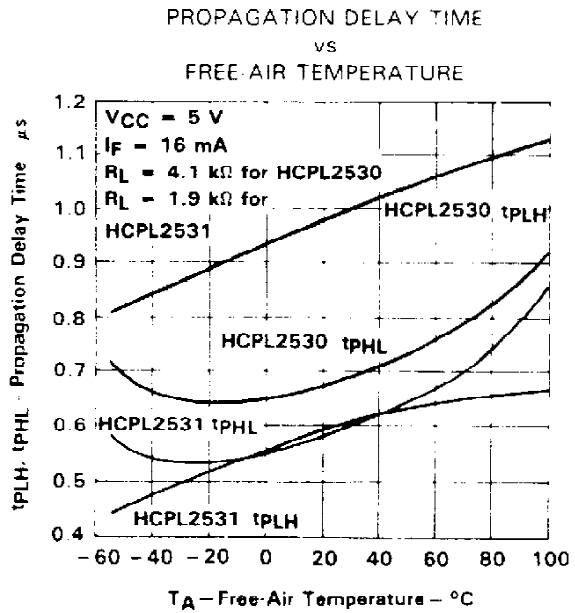


FIGURE 10

IMPORTANT NOTICE

Texas Instruments (TI) reserves the right to make changes to its products or to discontinue any semiconductor product or service without notice, and advises its customers to obtain the latest version of relevant information to verify, before placing orders, that the information being relied on is current.

TI warrants performance of its semiconductor products and related software to the specifications applicable at the time of sale in accordance with TI's standard warranty. Testing and other quality control techniques are utilized to the extent TI deems necessary to support this warranty. Specific testing of all parameters of each device is not necessarily performed, except those mandated by government requirements.

Certain applications using semiconductor products may involve potential risks of death, personal injury, or severe property or environmental damage ("Critical Applications").

TI SEMICONDUCTOR PRODUCTS ARE NOT DESIGNED, INTENDED, AUTHORIZED, OR WARRANTED TO BE SUITABLE FOR USE IN LIFE-SUPPORT APPLICATIONS, DEVICES OR SYSTEMS OR OTHER CRITICAL APPLICATIONS.

Inclusion of TI products in such applications is understood to be fully at the risk of the customer. Use of TI products in such applications requires the written approval of an appropriate TI officer. Questions concerning potential risk applications should be directed to TI through a local SC sales office.

In order to minimize risks associated with the customer's applications, adequate design and operating safeguards should be provided by the customer to minimize inherent or procedural hazards.

TI assumes no liability for applications assistance, customer product design, software performance, or infringement of patents or services described herein. Nor does TI warrant or represent that any license, either express or implied, is granted under any patent right, copyright, mask work right, or other intellectual property right of TI covering or relating to any combination, machine, or process in which such semiconductor products or services might be or are used.

IMPORTANT NOTICE

Texas Instruments (TI) reserves the right to make changes to its products or to discontinue any semiconductor product or service without notice, and advises its customers to obtain the latest version of relevant information to verify, before placing orders, that the information being relied on is current.

TI warrants performance of its semiconductor products and related software to the specifications applicable at the time of sale in accordance with TI's standard warranty. Testing and other quality control techniques are utilized to the extent TI deems necessary to support this warranty. Specific testing of all parameters of each device is not necessarily performed, except those mandated by government requirements.

Certain applications using semiconductor products may involve potential risks of death, personal injury, or severe property or environmental damage ("Critical Applications").

TI SEMICONDUCTOR PRODUCTS ARE NOT DESIGNED, INTENDED, AUTHORIZED, OR WARRANTED TO BE SUITABLE FOR USE IN LIFE-SUPPORT APPLICATIONS, DEVICES OR SYSTEMS OR OTHER CRITICAL APPLICATIONS.

Inclusion of TI products in such applications is understood to be fully at the risk of the customer. Use of TI products in such applications requires the written approval of an appropriate TI officer. Questions concerning potential risk applications should be directed to TI through a local SC sales office.

In order to minimize risks associated with the customer's applications, adequate design and operating safeguards should be provided by the customer to minimize inherent or procedural hazards.

TI assumes no liability for applications assistance, customer product design, software performance, or infringement of patents or services described herein. Nor does TI warrant or represent that any license, either express or implied, is granted under any patent right, copyright, mask work right, or other intellectual property right of TI covering or relating to any combination, machine, or process in which such semiconductor products or services might be or are used.